



BLUE EARTH CERAMICS

NATURAL POSITION/ EASTERN TOILET

Features

- Vitreous china
- Rounded front
- Built in splash guard
- Integral trap
- 360 degree rim jets

- 3" IPS OD outlet
- Fits 3" Fernco and Mission clamps
- Standard ballcock inlet, accepts standard ballcock supply tube
- Slip-guard / easy-clean foot pads

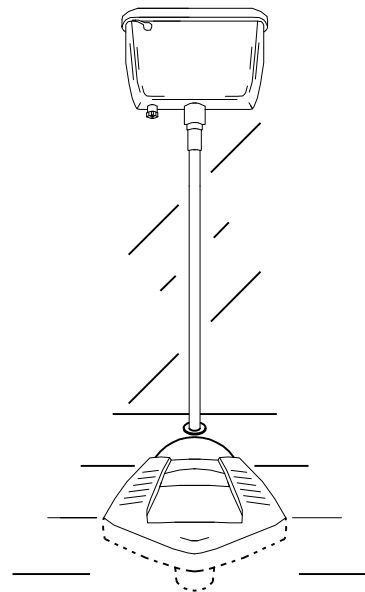
- Glazed trapway
- Includes flush tank (alternatively, can be used with flushometer valve)

Codes/Standards Applicable

Specified model meets or exceeds the following:

- ANSI A112-19-2

TOILET BEC-114BT







Base Model	Description	Color(s)
BEC-116BT	Floor-level eastern style toilet	White
Included Items		
BEC-116TO	Wall-hung tank (only) for floor level toilet	White
BEC-116BO	Floor-level toilet bowl (only)	White
BEC-116AK	Tank to bowl down-pipe fitting kit, access plate kit	White (PVC)
BEC-116LP	Product Literature Pack including Install Guide	-

Product Specification

The in-floor style toilet shall be made of vitreous china. Toilet shall comply with ANSI standard #A112-19-2 Toilet shall be less supply.

Toilet shall be Blue Earth Ceramics Model #BEC-1033

(Finish diminsions)

-  Wall hung toilet tank.
-  Spud connection access-well and cover plate assembly.
-  Internal bowl dimensions.
-  Floor level toilet bowl.

