



BLUE EARTH CERAMICS

NATURAL POSITION/ EASTERN TOILET

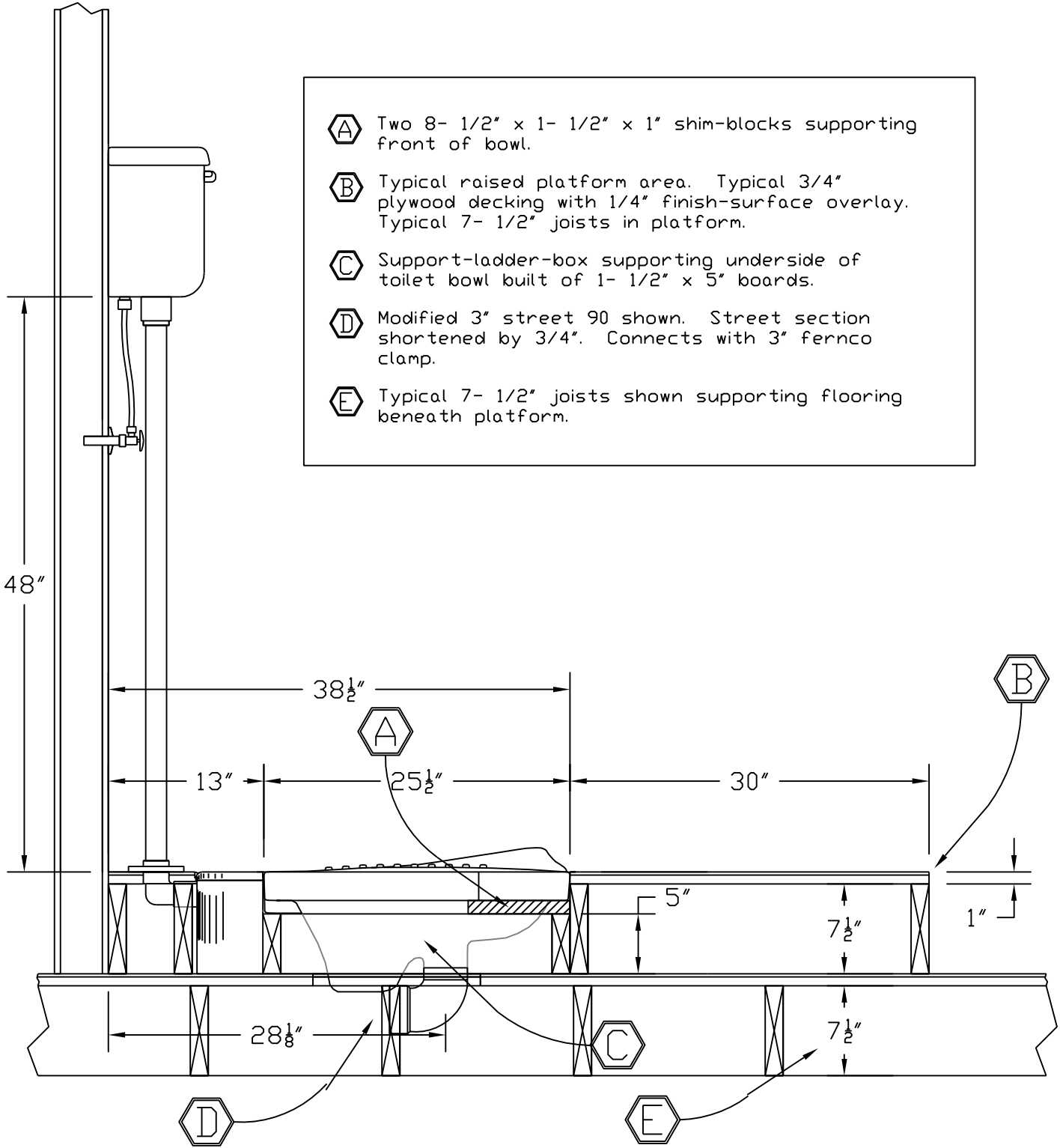
Rough In Dimensions & Layout Sheet

BEC-114BT (Three mounting options)

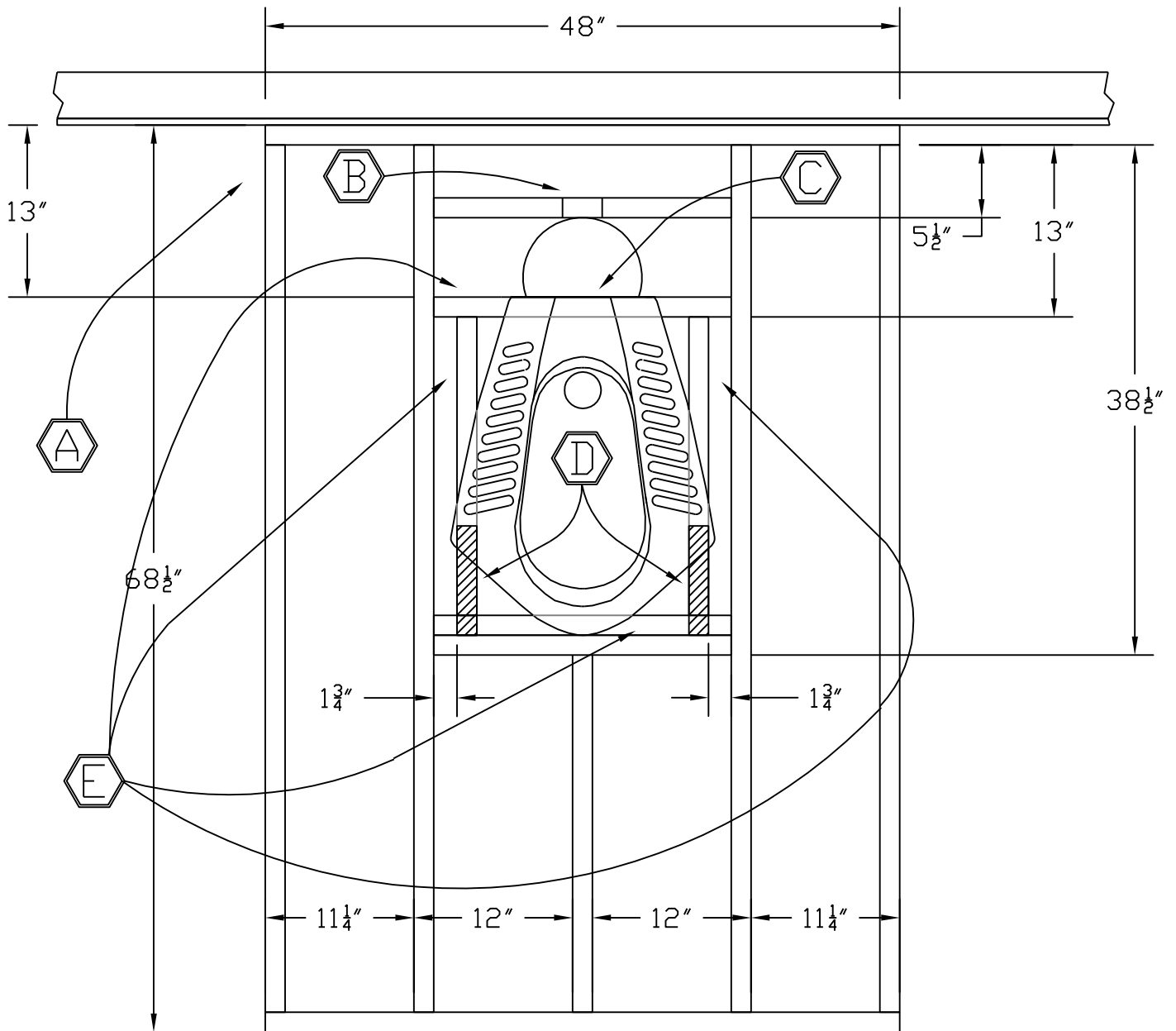
Table of Contents

I.	Wooden frame construction:	
A.	At platform height.	2
B.	At main floor level with soffit	
1.	Single joist headered off	6
2.	Two joists headered off	7
II.	Composite steel/ concrete construction:	
A.	At main floor level	8

- Ⓐ Two 8- 1/2" x 1- 1/2" x 1" shim-blocks supporting front of bowl.
- Ⓑ Typical raised platform area. Typical 3/4" plywood decking with 1/4" finish-surface overlay. Typical 7- 1/2" joists in platform.
- Ⓒ Support-ladder-box supporting underside of toilet bowl built of 1- 1/2" x 5" boards.
- Ⓓ Modified 3" street 90 shown. Street section shortened by 3/4". Connects with 3" fernco clamp.
- Ⓔ Typical 7- 1/2" joists shown supporting flooring beneath platform.

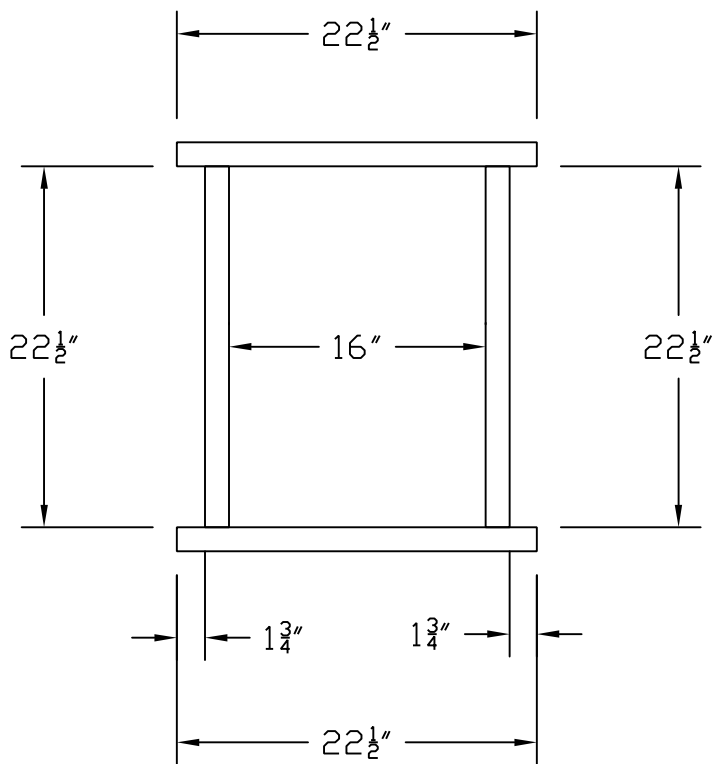


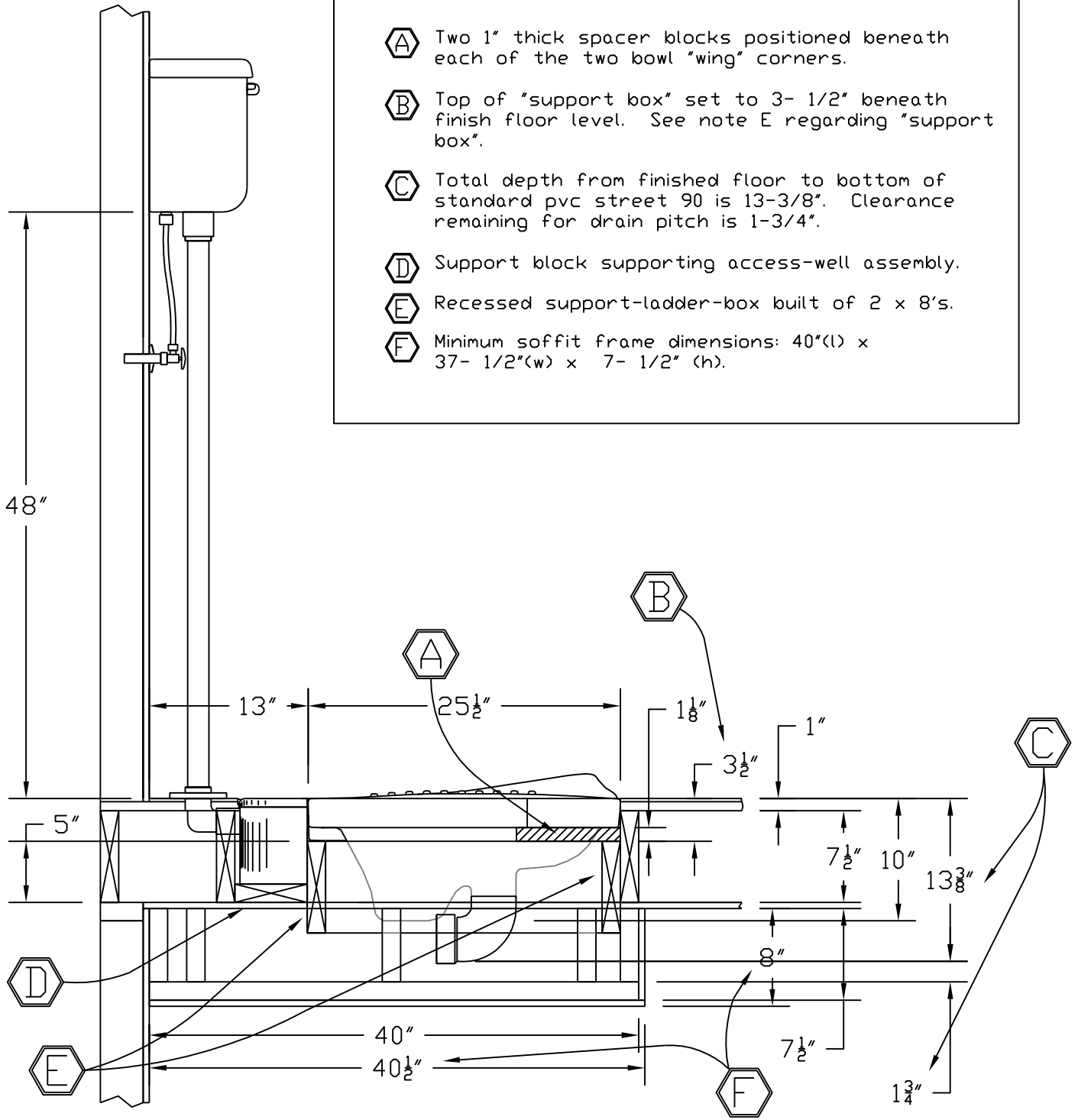
- A** Typical raised platform installation. Platform is 48" x 68- 1/2". Platform joists are 2x8's (1-1/2" x 7- 1/2").
- B** Joist notched here for flush pipe/ spud connection.
- C** Ceramic portion of bowl directly beneath spud inlet connection resting on top of "support-ladder-box" here.
- D** Two 8- 1/2" x 1- 1/2" x 1" shim-blocks to set correct front bowl elevation.
- E** These four blocks, which form the "support-ladder-box", ripped down to 5" and laid flush with bottom of platform.



SUPPORT-LADDER-BOX DETAIL

Support-ladder-box made 2 x 6's ripped down to 5" wide.





- (A)** Two 1" thick spacer blocks positioned beneath each of the two bowl "wing" corners.
- (B)** Top of "support box" set to 3- 1/2" beneath finish floor level. See note E regarding "support box".
- (C)** Total depth from finished floor to bottom of standard pvc street 90 is 13-3/8". Clearance remaining for drain pitch is 1-3/4".
- (D)** Support block supporting access-well assembly.
- (E)** Recessed support-ladder-box built of 2 x 8's.
- (F)** Minimum soffit frame dimensions: 40"(l) x 37- 1/2"(w) x 7- 1/2" (h).

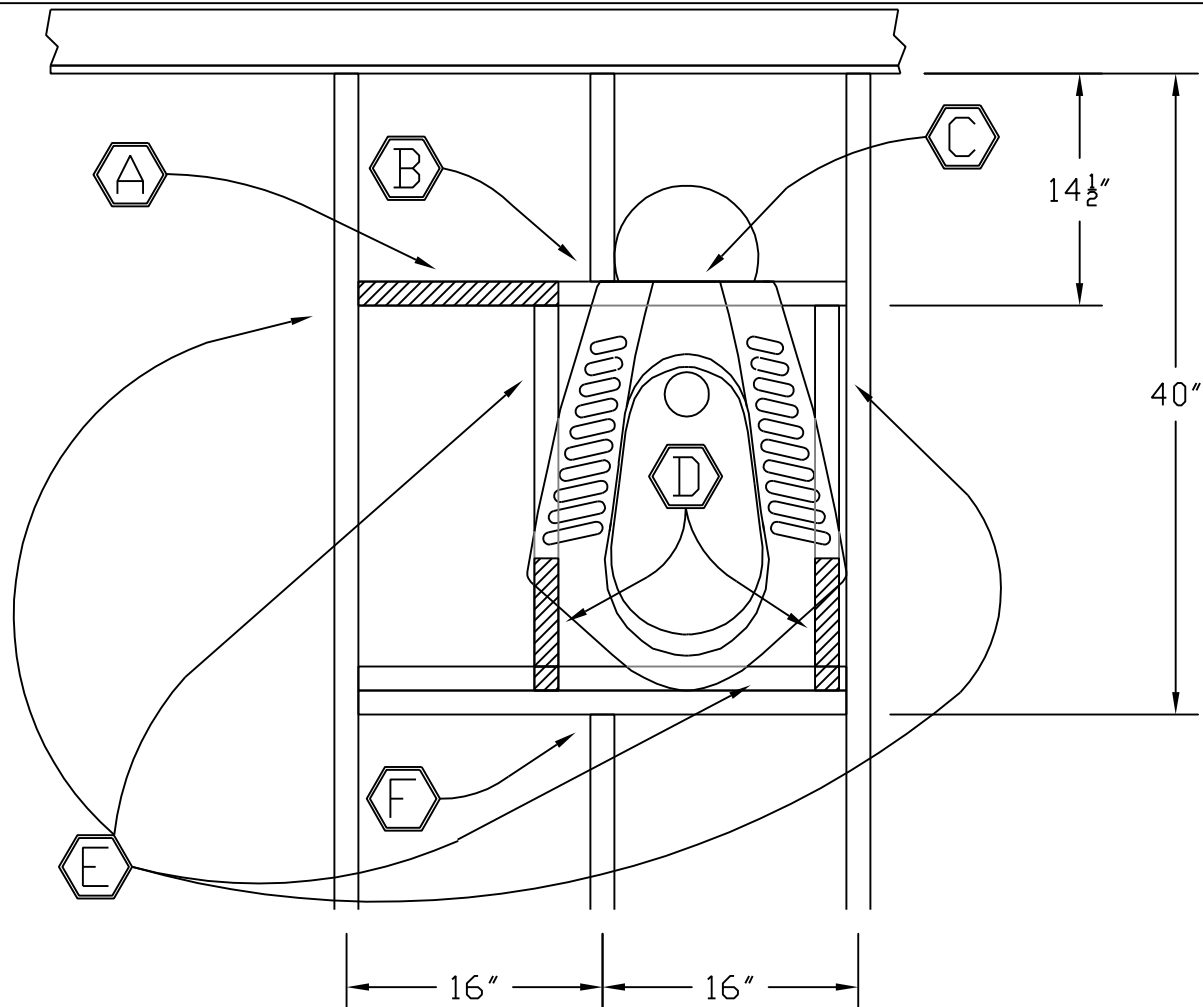
General Notes:

1. Floor level mounting joist arrangements drawn showing typical 16" center floor joists.

2. If center of proposed toilet location is within 5- 1/2" of the center of the nearest joist, then only one joist must be headered off. If the center of the proposed toilet location is 5- 5/8" through 8" from the center of the nearest joist, then two joists will have to be headered off.

Indexed Notes:

- (A) One 2- 1/2" shim placed here to support flooring.
- (B) Original joist headered onto recessed "support-ladder-box" here.
- (C) Ceramic portion of bowl directly beneath spud inlet connection resting on top of "support-ladder-box" here.
- (D) Two 8- 1/2" x 1- 1/2" x 1" shim-blocks to set correct front bowl elevation.
- (E) These four blocks, which form the "support-ladder-box" constructed of full width joists, recessed down into floor 3- 1/2" below finish floor. Recessed header joists attached to regular joists with beam-pocket fittings.
- (F) Joist headered to header-board at normal height here.

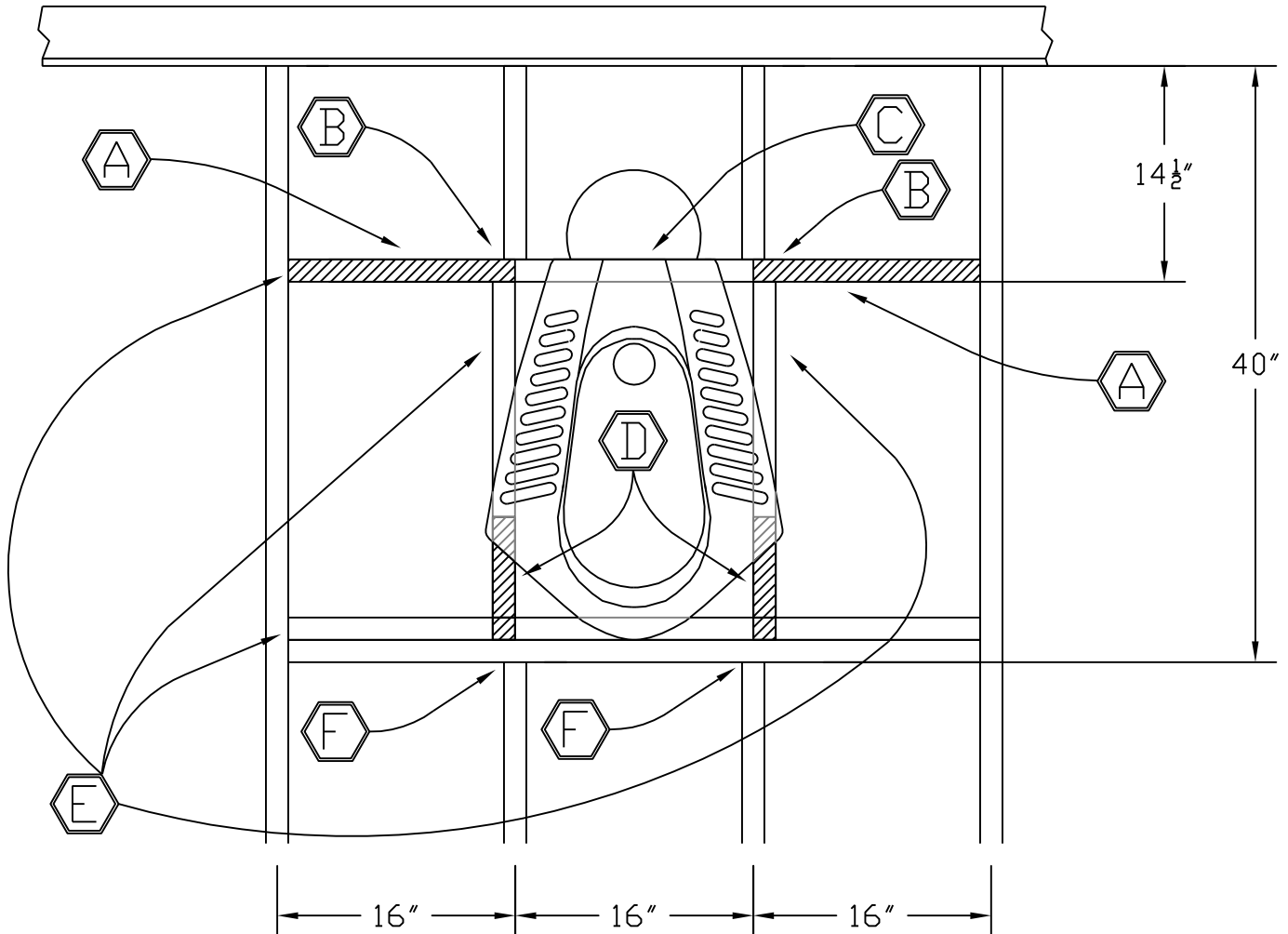


General Notes:

1. Floor level mounting joist arrangements drawn showing typical 16" center floor joists.
2. If center of proposed toilet location is within 5- 1/2" of the center of the nearest joist, then only one joist must be headered off. If the center of the proposed toilet location is 5- 5/8" through 8" from the center of the nearest joist, then two joists will have to be headered off.

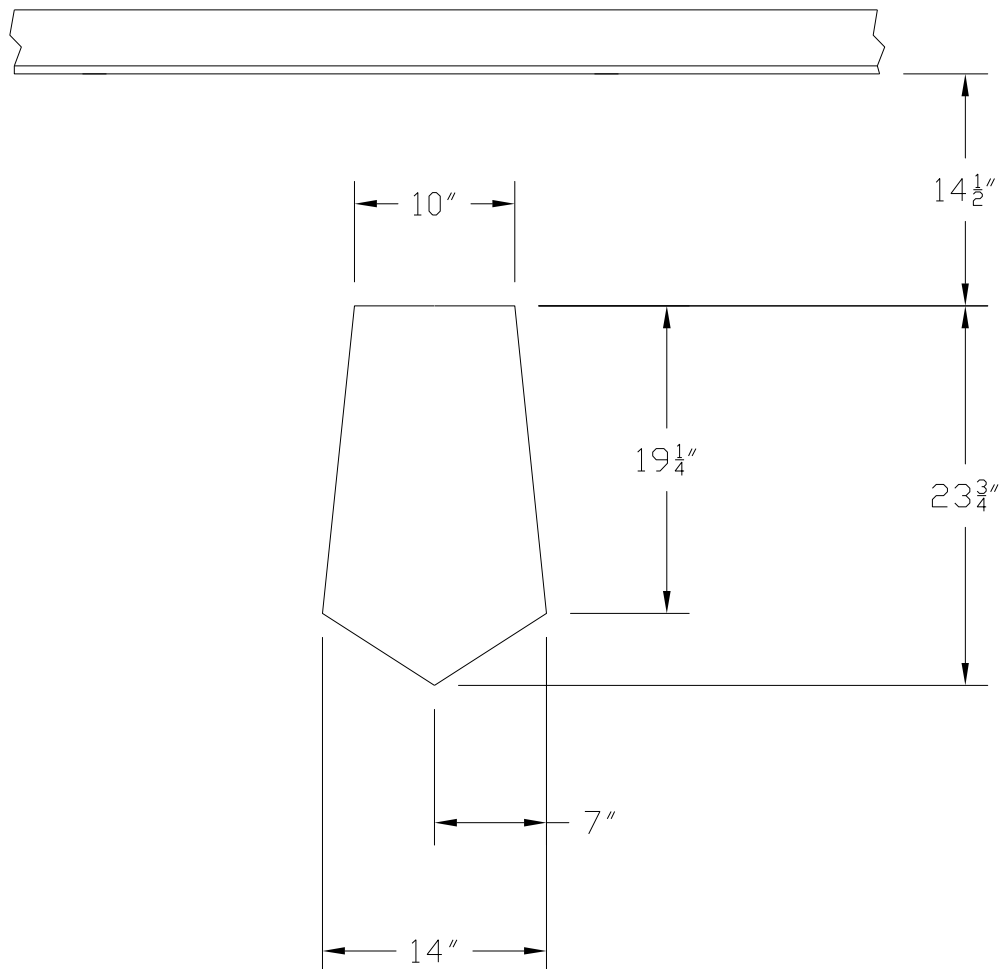
Indexed Notes:

- (A) Two 2- 1/2" shims placed here to support flooring.
- (B) Original joist headered onto recessed "support-ladder-box" here.
- (C) Ceramic portion of bowl directly beneath spud inlet connection resting on top of "support-ladder-box" here.
- (D) Two 8- 1/2" x 1- 1/2" x 1" shim-blocks to set correct front bowl elevation.
- (E) These four blocks, which form the "support-ladder-box" constructed of full width joists, recessed down into floor 3- 1/2" below finish floor. Recessed header joists attached to regular joists with beam-pocket fittings.
- (F) Joist headered to header-board at normal height here.



General Note:

Step 1. Cut pentagonal hole with side dimensions as shown. Cuts to extend vertically completely through both concrete and steel decking.



General Notes:

- Step 2. Use supplied template to mark the outer edge of 3- 1/2" recessed area.
Step 3. Grind down the 3- 1/2" recessed area to the proper depth, taking special care to accurately grind down to the correct depth, the three points where the bowl will be supported by the decking. This area to be 3- 1/2" below the finished floor.
Step 4. Grind down two high strength brick shims as shown in note "D" below, and place as shown.
Step 5. Place the toilet into position. Adjust the two shims as needed to set front of toilet to level with floor.

Indexed Notes:

- A** Flush pipe channel, 3- 1/2" deep. To be cemented and/ or tiled over during finish phase of work.
- B** Spud access well area, 3- 1/2" deep. To be cut to accomodate access well sleeve and cap. Sleeve to rest on bottom of cut. Cap to be flush with finish floor.
- C** Ceramic portion of bowl directly beneath spud inlet connection resting on floor of 3- 1/2" deep recessed area.
- D** Two 2 x 2 x 1" cut brick shims, cut from high strength brick, and grouted in place as shown. Shim height can be altered as needed to set level of front of bowl to even with finished floor. After leveling toilet, permanently set bowl in place by bedding in grout at each of the three support points, C & D.
- E** Outer hatched area to be recessed to 3- 1/2" deep.

